

Agreement of Terms & Conditions

Name of client _____

Address _____

Telephone and e-mail _____

Name of client _____

Address _____

Telephone and e-mail _____

Date of wedding function ____/____/____

Date of confirmation of booking ____/____/____

We agree jointly and severally to the stated terms and conditions and that we are responsible jointly and severally for the booking and payment due to The Abington Hotel.

Signed _____

Date _____

Signed _____

Date _____

Signed on behalf of The Abington Hotel

Date _____

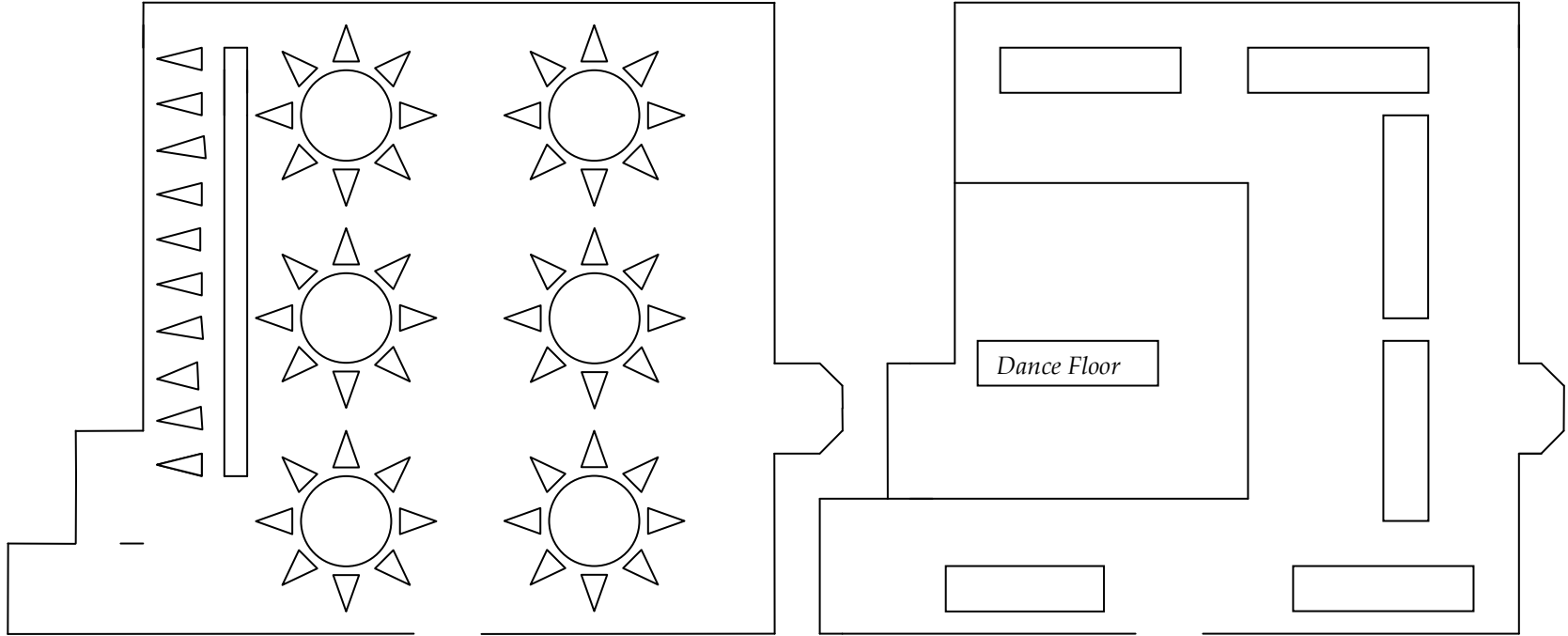
Terms & Conditions

- 1 *Provisional reservation – all bookings will be considered as being provisionally booked for a period of 14 days and will only be treated as confirmed upon completion of the agreement with a non-refundable deposit of £500 to be received by the Hotel to secure your booking.*
- 2 *Minimum numbers – all packages are based on maximum day time guest numbers of 100. Should numbers for any packages fall below 50 day time guests a room hire charge of £500 will apply.*
- 3 *Midweek functions – for functions occurring between Sunday – Thursday a 10% deduction on the menu price will apply.*
- 4 *Final guest numbers – final numbers for all guests is required in writing 3 weeks prior to the function. Should no details of any amendment be received in writing the original number of guests on the booking form will be charged.*
- 5 *Children – children aged 5 – 12 will be offered half portions at half price or alternatively may choose from a children’s menu at £8.00. Children under the age of 5 will not be charged.*
- 6 *Prices – all stated prices are guaranteed for weddings in 2010. For reservations for 2011 and beyond prices will be confirmed after December 2010. For Wedding Ceremonies taking place within the Hotel a charge of £150 will apply.*
- 7 *Accommodation – it is recommended that guests wishing to stay arrange accommodation as early as possible to avoid disappointment. Preferential rates will be available to wedding party guests.*
- 8 *Corkage – we do not operate a corkage facility. All items consumed by your party must be purchased from the Hotel.*
- 9 *Payment of account – Reservation Deposit*
- | | |
|-----------------------------------|-----------------------------|
| <i>Within 14 days</i> | <i>£500</i> |
| <i>6 months before event</i> | <i>payment required</i> |
| <i>4 months before event</i> | <i>£800</i> |
| <i>2 months before event</i> | <i>£800</i> |
| <i>14 days before event</i> | <i>payment required</i> |
| <i>Within 14 days after event</i> | <i>estimated balance</i> |
| | <i>any residual balance</i> |
- 10 *Cancellation policy – Deposit*
- | | |
|-----------------------------|------------------------------------------------------------|
| <i>Non Refundable</i> | |
| <i>8 weeks before event</i> | <i>you will be charged 50% of total estimated account</i> |
| <i>4 weeks before event</i> | <i>you will be charged 80% of total estimated account</i> |
| <i>2 weeks before event</i> | <i>you will be charged 100% of total estimated account</i> |
- (you may wish to consider seeking advice from a qualified advisor/broker regarding suitable insurance.)*

Day Plan

The Glengonnar Room

Evening Plan



For illustrative purposes only

Evening Buffet

Menu 1

Assorted Sandwiches

Oven baked sausage rolls

Tea & Coffee

£6.95pp

Menu 2

Assorted Sandwiches

Oven baked sausage rolls

Chicken goujons

Tea & Coffee

£7.95 pp

Menu 3

Assorted Sandwiches

Cheese & Bacon quiche

Chicken goujons

Pizza Slices

Tea & Coffee

£8.95 pp

The Glengonnar Menu

Terrine of smoked salmon, cream cheese and dill with capers

Lentil and bacon soup

Three bone rack of lamb with a redcurrant and thyme jus

Brandy snap baskets filled with fresh seasonal fruit and vanilla bean ice cream

Tea or coffee served with tablet

Or

Tomato, basil and mozzarella stack with balsamic reduction

Roasted carrot and ginger soup

*Tournedos Rossini, Fillet steak presented on a bread crouton spread with Ardennes pate, finished with
bordelaise sauce*

Scottish cranachan, toasted oats in Chantilly cream with raspberries, whisky and shortbread

Tea or coffee served with tablet

All main courses served with fresh seasonal vegetables and potatoes

The Glengonnar Package £50.00

Red Carpet on arrival

Garland at entrance

Traditional piper in attendance

Canapés circulating before guests are seated

Iced water on all guest tables

Table plan, guest name cards & personalised menu

Candelabra with white candles on all guest tables

Top table floral arrangement

Glass of champagne, whisky or sherry on arrival for each day guest

Choice of four course wedding meal

Two glasses of red or white house wine with meal

Glass of champagne for toast to Bride & Groom

Services of a professional Toastmaster

Use of cake stand and knife

Complimentary overnight use of the Honeymoon Room for bride & groom with Bucks Fizz breakfast served in the room.

The Colebrooke Menu

Salad of prawn and smoked salmon with a dill mayonnaise

Carrot and coriander soup

Chicken Balmoral - a whole chicken fillet stuffed with haggis and finished in whisky sauce

Fresh cream profiteroles with chocolate sauce

Tea or coffee served with mints

Or

Smooth Ardennes pate served with oatcakes and cranberry sauce

Tomato and basil soup

Poached salmon fillet finished in a lemon and dill butter

Vanilla pod cheesecake with a raspberry coulis

Tea or coffee served with mints

All main courses served with fresh seasonal vegetables and potatoes

The Colebrooke Package £45.00

Red carpet on arrival

Iced water on all guest tables

Table plan, place names and personalised menu

Candelabra with white candles on all guest tables

Top table floral arrangement

Sparkling wine on arrival for all day guests

Choice of four course wedding meal

Two glasses of red or white house wine with meal

A glass of sparkling wine for toast to Bride & Groom

Services of a professional Toastmaster

Use of cake stand and knife

Complimentary overnight use of Honeymoon Room for the bride & groom with Bucks Fizz breakfast served in the room

The Arbory Menu

Cream of potato and leek soup

Supreme of chicken stuffed with haggis with a Whisky & Arran mustard cream sauce

Home made sticky toffee pudding with clotted cream

Tea or coffee served with mints

Or

Ardennes pate served with oatcakes and cranberry sauce

Roast loin of pork in a cider cream sauce

Fruits of the forest in a meringue nest with Chantilly cream

Tea or coffee served with mints

All main courses served with fresh seasonal vegetables and potatoes

The Arbory Package £40.00

Red carpet on arrival

Iced water on all guest tables

Table plan, guest name places and personalised menu

Bucks Fizz served on arrival to all day guests

Choice of three course wedding meal

One glass of house wine with meal

A glass of sparkling wine for toast to Bride & Groom

Celebratory glass of champagne for the Bride & Groom

Use of cake stand and knife

Complimentary overnight use of the Honeymoon Room for the Bride & Groom with a Bucks Fizz breakfast served in the room.

*Once you have had an opportunity to decide upon which package suits your requirements and provided confirmation of your booking, The Abington Hotel would be delighted to offer the bride and groom a **complimentary** sample tasting of their chosen meal.*

The Glengonnar Room comfortably accommodates up to 100 day time guests with evening guest maximum numbers subject to agreement with The Hotel. You can even arrange to hold your Wedding Ceremony within the Hotel.

We can of course provide a range of vegetarian options and children's menus are also available.

Discounts are available for wedding receptions held on Sunday – Thursday.

Preferential rates will of course be available for the wedding party guests requiring overnight accommodation. All our comfortable en-suite rooms have complimentary toiletries, remote controlled televisions, direct dial telephones, hair dryers and tea and coffee making facilities.

Thank you for allowing The Abington Hotel become part of your special day!

At The Abington Hotel we pride ourselves in being a family business so we know only too well how important your wedding will be to you and your family – that's why we will stop at nothing to ensure your wedding is a day for you and your guests to remember.

The Hotel is set in the tranquil countryside of the Clyde Valley surrounded by the rolling hills and the River Clyde. Many of our guests like to stay and enjoy the peace and quiet of our small village but also to enjoy the many attractions and sporting facilities which are only a short drive away.

Recently following part of a continuous refurbishment programme, the addition of The Conservatory was completed allowing our guests to while away a peaceful hour or so enjoying a cup of coffee whilst admiring the scenery. We are also pleased to announce the addition of The Hidden Atrium – an open air but sheltered decked area furnished with quality wooden outdoor furniture. The perfect area to hide and enjoy a sundowner! Both these areas provide the perfect contemporary backdrop for your wedding photographs and for a more romantic feel visit our established and well stocked garden.

The following pages provide details of our selected packages but we also appreciate that you may have certain requests to fulfil your dream day and our dedicated wedding co-ordinator will endeavour to make your wishes come true.